




# Technical News

Sony Imaging Products & Solutions Inc. © 2020

Ref. No.	Issuer company	Issue (yyyy/mm/dd)	Last modification (yyyy/mm/dd)
PV20NEX506	Digital Imaging Group	2020/06/29	2020/11/12
<b>Subject</b>			
<b>counter measures for screws loose</b>			
Model (System model)	Destination	Serial number	Color
SEL200600G	All	~  1844842	

## **SYMPTOM**



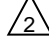
Screws Looseness in filter screw frame and body mount in the market

### Conditions of Use:

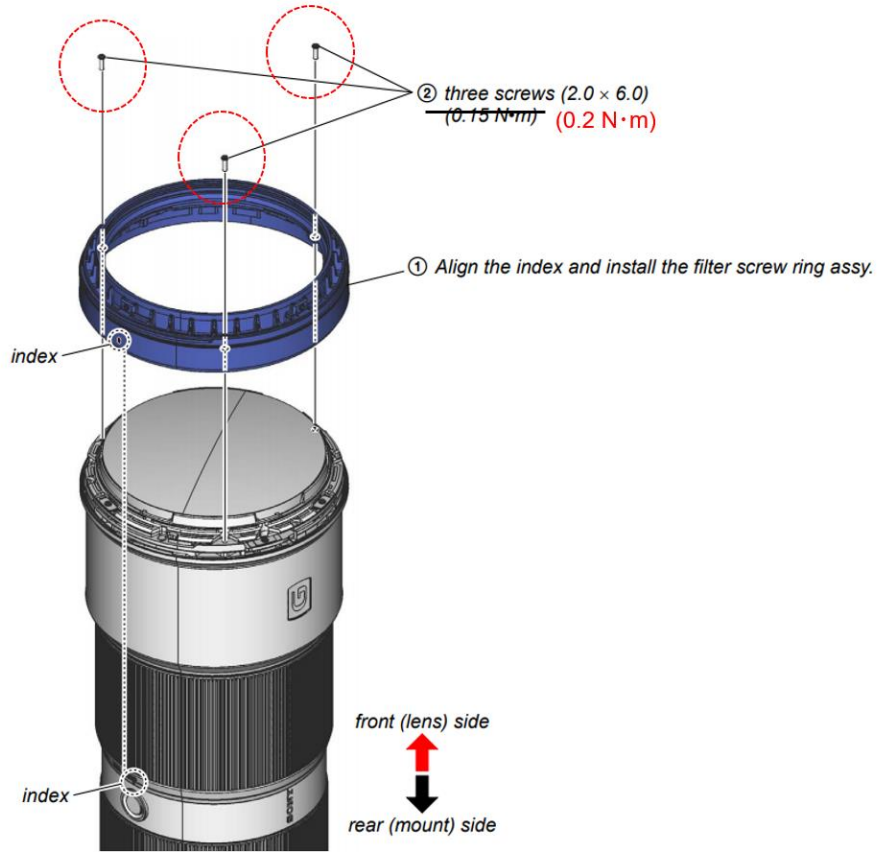
- (1) Please use this information only for the purpose of performing repair, maintenance and/or configuration services of the Sony products (hereinafter the "Repair services") under the service agreement entered into with the Sony group company (hereinafter the "Service agreement"). Using this information for any purpose other than the purpose described foregoing is forbidden.
  - (2) Only the Authorized Servicer's officers, employees or subcontractors (including their officers and employees) whose duties justify a need-to-know and who have agreed to hold confidential this information (collectively hereinafter the "Permitted users") are permitted to access and use this information. To disclose or disseminate to any person other than the Permitted users is forbidden.
  - (3) Destroy or erase any and all portion of this information promptly in an irrecoverable and secure fashion after achieving the purpose described in Section (1) above.
  - (4) Do not copy, replicate, reproduce, alter, translate, transmit, sell, lease, or distribute this information in whole or in part without the prior written permission of the author.  
(Notwithstanding foregoing, it is permitted to copy and distribute this information to the Permitted users.)
  - (5) Please notify immediately any leakage, loss, theft, misappropriation, or other misuse of this information by e-mail to the following address:  
[somk-gcs-tissnexim-adm@jp.sony.com](mailto:somk-gcs-tissnexim-adm@jp.sony.com)
  - (6) In addition to the above, the terms and conditions of the Service agreement shall be applied to using this information.
- Revision of Information:  
This information may be changed or updated at any time without any prior notice. Please confirm that this information is up-to-date before using it.

**SOLUTION**

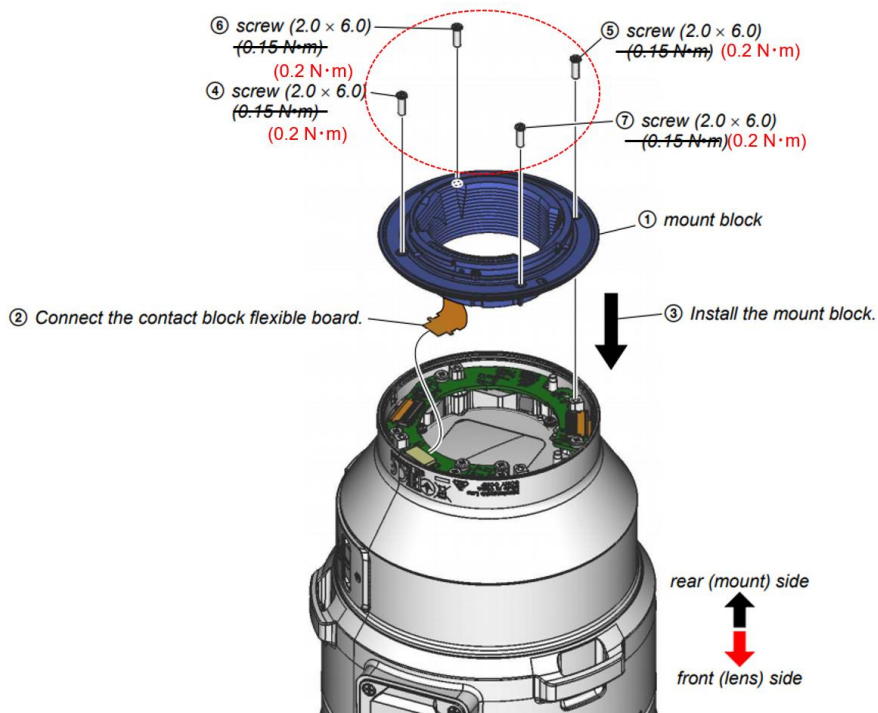
Screws Looseness in filter screw frame and body mount in the market

Location of Parts	Before	After improvement
Screws for filter ring screw *1	1P2X6C3CIB (4-696-871-01) tightening torque 0.15 Nm	1P2X6.5C3CPAS (5-022-026-01) tightening torque : 0.2Nm
Screws for mount block *2	1P2X6C3C NYLOK (5-006-464-01) tightening torque : 0.15Nm	
Screws for tripod plate *3 	LOCK, 2P2X7C3C IB 5-008-351-01 tightening torque : 0.15Nm	LOCK, 2P2X7C3C IB 5-008-351-01 tightening torque : 0.2Nm
Screws for tripod ring *4 	LOCK, TRIPOD SLIDING PIECE 5-005-671-01 tightening torque : 0.15Nm	LOCK, TRIPOD SLIDING PIECE PAS 5-005-671-02 tightening torque : 0.2Nm
Screws for tripod ring fitting tube *5 	SCREW, 1 GROUP PIECE 5-005-668-01 tightening torque : 0.12Nm	SCREW PAS, TRIPOD RING FITTING 5-024-628-01 tightening torque : 0.15Nm

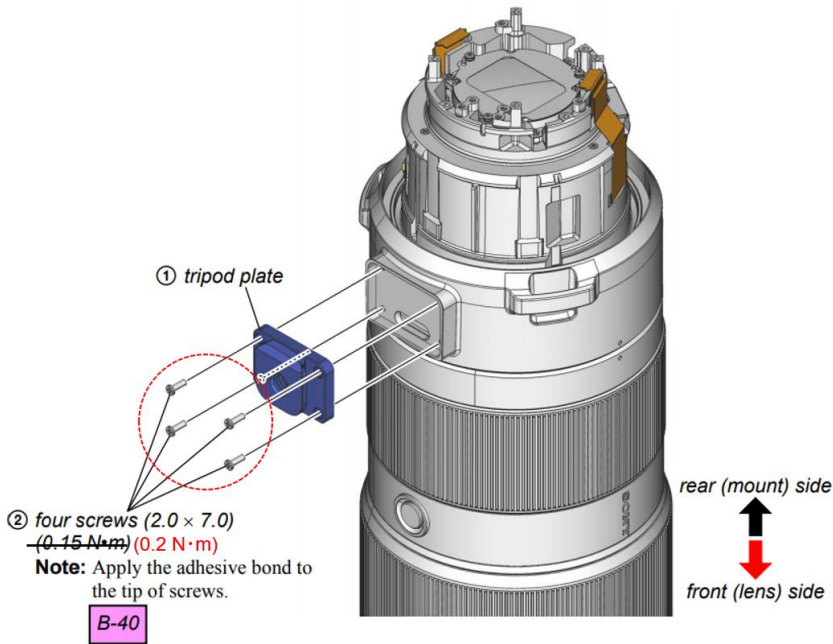
\*1 Service Manual Level 2 2-3-32. FILETR SCREW RING ASSY



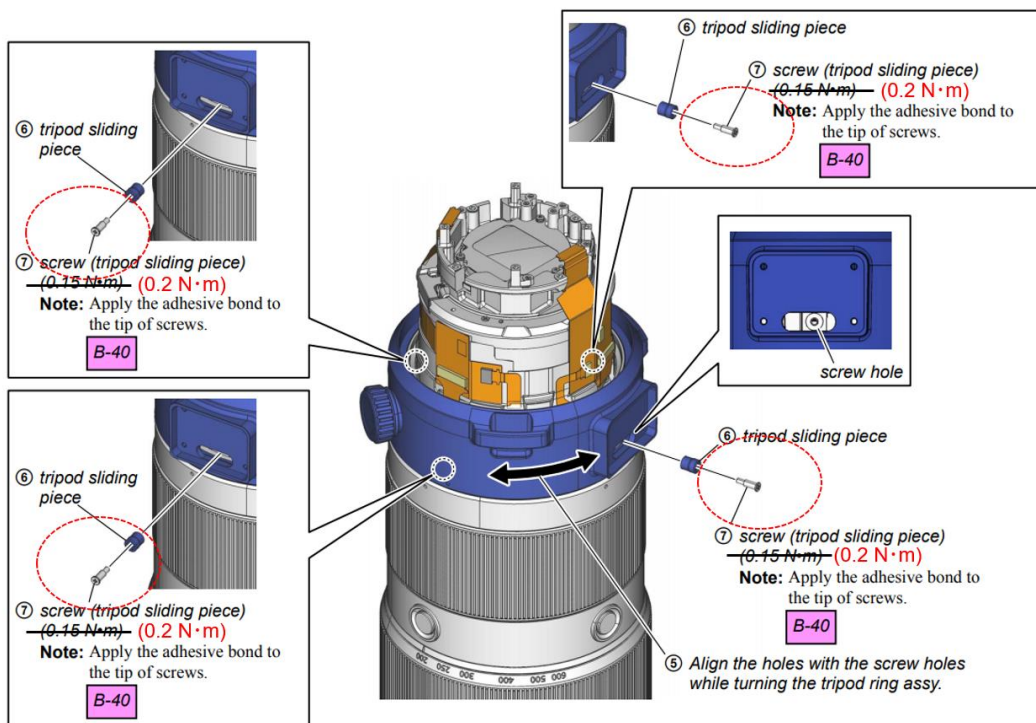
\*2 Service Manual Level 2 2-3-28. MOUNT BLOCK



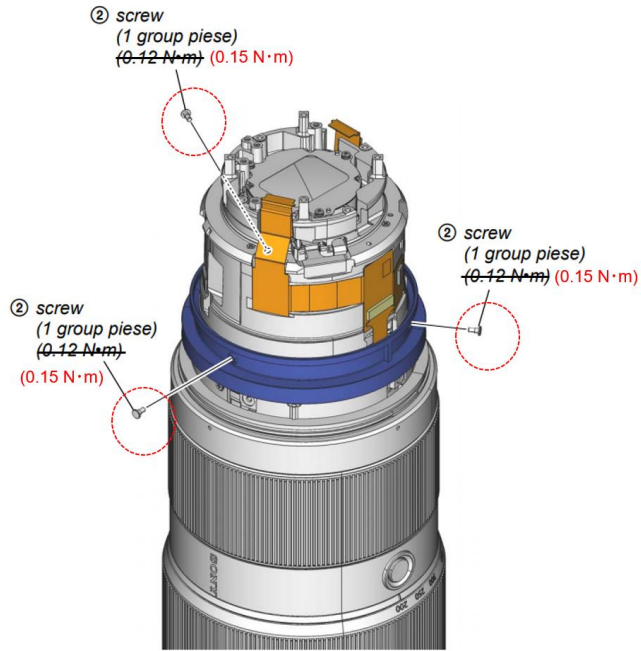
\*3 Service Manual Level 2 2-3-23. TRIPOD PLATE



\*4 Service Manual Level 2 2-3-22. TRIPOD RING ASSY



\*5 Service Manual Level 2 2-3-20. TRIPOD RING FITTING TUBE



**REVISION HISTORY**

REV	QTY	DATE	MEMO
①	1	2020.09.24	Cutoff serial added
②	3	2020.11.12	Parts added